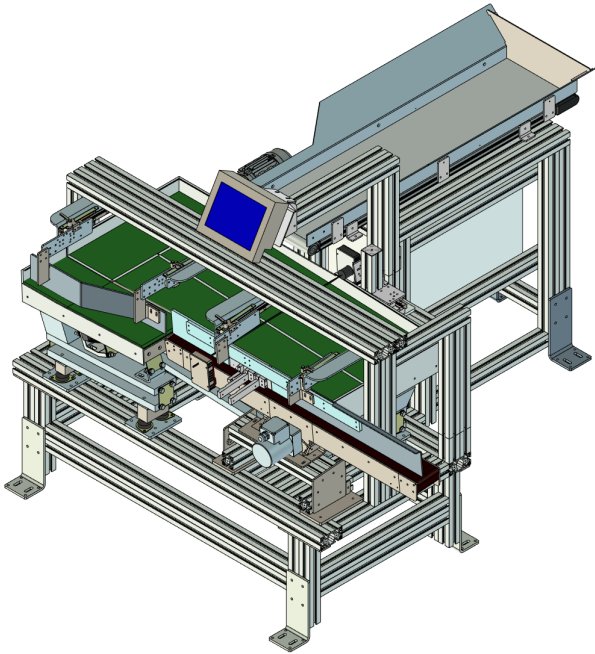

DG FLEX FEEDER 604

POWERFULL AND RELIABLE



Smooth handling of midsize and large components

DG Flex Feeder 604 is based on our standard solutions but offers you the ability to go beyond, to suit your largest and most complex parts. Its base design is focusing on better separation and flow to withhold one of the FlexFeeders main features, flexibility and high output capacity. DG 604 is suitable for components between 5-250 mm, combining proven technology for your trickiest parts, the big and chunky, tangling and rolling parts.

Built for part separation and efficient automation

Suitable for standalone production or configured in a larger system such as robot cells or kitting solutions. It's ideal for packing in bags and cartons or feeding pre-packaged bags to robots or packaging machines. The DG FlexFeeder 604 will handle your parts smooth, carrying for gentle surfaces, with the ability to separate and feed parts with a continuous flow and still reach low cycle times and high output capacity. With a 604, you will streamline your production and make it easier for your employees.

Our vibration feeding systems, DG Flex Feeders, are made to make part handling and packing processes smoother, faster, quieter, more flexible, and above all profitable. The DG Flex Feeder is a patented vibration feeder for silent and smooth handling of all kinds of components. The ECOVISION 6000 is an integrated quality control system designed for sorting, positioning and counting components of any shape and design.

Multi-functional machine yet easy to use

The DG FlexFeeder 604 is designed to achieve total flexibility and to minimize set-up time so that you as a user can get the most out of your production. One of the many advantages of a 604 is the multi-functionality that the machine possesses true the number of variations of workpieces, with different sizes, shapes and batch quantities that the machine is able to handle. And yet it's easy to use. Our integrated system comes with the ease-of-use with the ability to teach-in up to 1500 unique part numbers, depending on geometry.

Features

- Standard machine for most flexible parts feeding
- Built for stand-alone use or integrated in larger cell
- Sorting, positioning and counting of workpieces
- Low cycle times and gentle handling of parts.
- Optimized for handling fragile workpieces
- Ease of use
- If required more buffer, our steel magazines can be added, 30L, 45L or 100L

The Benefits

- Standard machine for flexible parts feeding to a low cost
- Ability to teach in 1500 unique part numbers
- Easy to operate with fast teach-in time
- Low noise level, 53-55dB

Included in DG Flex Feeder 604

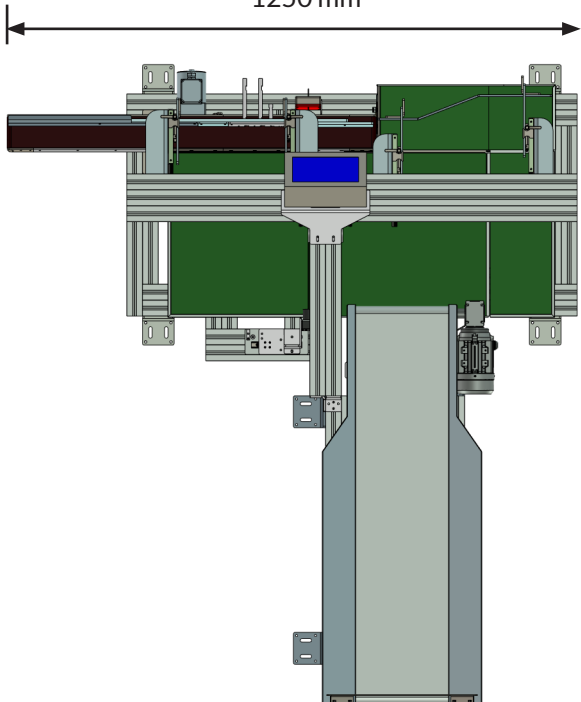
- Bulk hopper, 45 litres
- Out feed belt with 1-phase motor and adjustable fence
- Identification and counting, ECOVISION 6000 with pneumatic rejection

Technical information DG 601

	Description
Footprint	2,4m ²
Height	1600mm
Width	2000mm
Length	1250mm
Main voltage	400 V, 50 Hz
Power consumption [W]	max 500
Air pressure [bar]	max 6
Sound level (w.o. parts)	53 dB
Operating temperature	35°C

DG Flex Feeder 604 top view

1250 mm



DG Flex Feeder 604 side view

